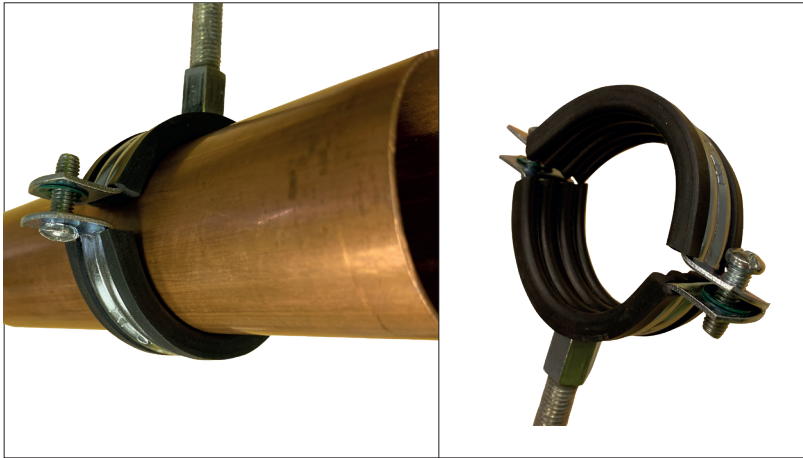




RUBBER-LINED UNIVERSAL PIPE CLAMP



M8-M10 rubber-lined pipe clamp

These rubber-lined pipe clamps are suitable for supporting all types of pipework including HVAC, boiler and drain. They come with noise suppressing rubber strips: 17dB(A) according to ISO 3822-1.

Part code	Description	Quantity
RLC-015	Pipe Clamp M8-10 Rubber lined 1/4" 11/15mm	Box of 50
RLC-020	Pipe Clamp M8-10 lined 3/8" 14-19mm	Box of 50
RLC-024	Pipe Clamp M8-10 lined 1/2" 20-24mm	Box of 50
RLC-029	Pipe Clamp M8-10 lined 3/4" 25-29mm	Box of 50
RLC-035	Pipe Clamp M8-10 lined 1" 32-36mm	Box of 50
RLC-044	Pipe Clamp M8-10 lined 1-1/4" 37-44mm	Box of 50
RLC-050	Pipe Clamp M8-10 lined 1-1/2" 44-50mm	Box of 50
RLC-058	Pipe Clamp M8-10 lined 50-58mm	Box of 50
RLC-068	Pipe Clamp M8-10 lined 2" 58-68mm	Box of 50
RLC-078	Pipe Clamp M8-10 lined 2-1/2" 68-78mm	Box of 50
RLC-088	Pipe Clamp M8-10 lined 78-88mm	Box of 50
RLC-098	Pipe Clamp M8-10 lined 3" 88-98mm	Box of 25
RLC-108	Pipe Clamp M8-10 lined 3-1/2" 98-108mm	Box of 25
RLC-118	Pipe Clamp M8-10 lined 4" 108-118mm	Box of 25
RLC-128	Pipe Clamp M8-10 lined 118-128mm	Box of 25
RLC-138	Pipe Clamp M8-10 lined 128-138mm	Box of 25
RLC-148	Pipe Clamp M8-10 lined 135-148mm	Box of 25
RLC-164	Pipe Clamp M8-10 lined 151-164mm	Box of 25
RLC-175	Pipe Clamp M8-10 lined 6" 165-175mm	Box of 10
RLC-185	Pipe Clamp M8-10 lined 175-185mm	Box of 10
RLC-205	Pipe Clamp M8-10 lined 194-205mm	Box of 10

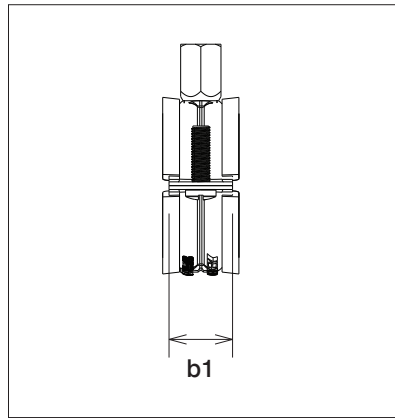
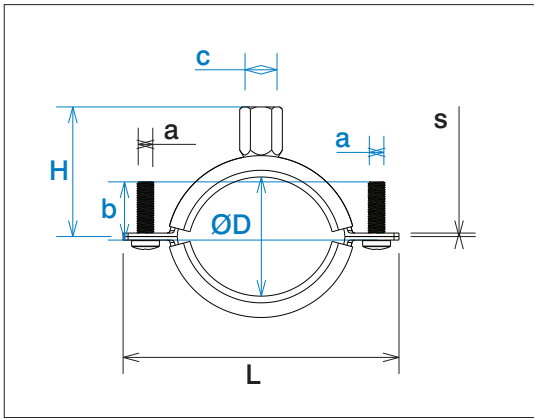
CLAMPS & CLIPS
PIPE CLAMP
 RUBBER-LINED PIPE CLAMP

The DiversiTech International sales team are available to answer your questions or queries on this product. Our experts are waiting for your call +44 (0)115 900 5858 or if you prefer send an email to sales@diversitech.com or visit www.diversitech.global

DIVERSITECH
 INTERNATIONAL

Glaisdale Drive East
 Nottingham NG8 4LY
 United Kingdom

RUBBER-LINED UNIVERSAL PIPE CLAMP



Part code	Sizes	Tightening range MIN Ø D - MAX Ø D	(s x b1) Steel band size	(a x b) Connecting screw	(c) Boss Nut	Max load capacity	Recom. load capacity	L ± 1	H ± 1	Rubber
RLC-015	1/4"	11-15mm	1.20*20	M6*15	M8/M10	3,000 kN	1,00 kN	61,5	11	EPDM
RLC-020	3/8"	14-19mm	1.20*20	M6*15	M8/M10	3,000 kN	1,00 kN	58,8	13	EPDM
RLC-024	1/2"	20-24mm	1.20*20	M6*15	M8/M10	3,000 kN	1,00 kN	64,6	14,8	EPDM
RLC-029	3/4"	25-29mm	1.20*20	M6*15	M8/M10	3,000 kN	1,00 kN	70,8	19,7	EPDM
RLC-035	1"	32-36mm	1.20*20	M6*18	M8/M10	3,000 kN	1,00 kN	78,6	20,8	EPDM
RLC-044		37-44mm	1.20*20	M6*18	M8/M10	3,000 kN	1,00 kN	87,5	25,3	EPDM
RLC-050		44-50mm	1.20*20	M6*18	M8/M10	3,000 kN	1,00 kN	94,3	27,8	EPDM
RLC-058		50-58mm	1.20*20	M6*18	M8/M10	3,000 kN	1,00 kN	99,4	31,2	EPDM
RLC-068		58-68mm	1.20*20	M6*25	M8/M10	3,000 kN	1,00 kN	111,3	34,5	EPDM
RLC-078		68-78mm	1.50*25	M6*25	M8/M10	3,000 kN	1,50 kN	137,1	39,4	EPDM
RLC-088		78-88mm	1.50*25	M6*25	M8/M10	3,000 kN	1,50 kN	138,2	46,5	EPDM
RLC-098		88-98mm	1.50*25	M6*25	M8/M10	3,000 kN	1,50 kN	148,2	50,4	EPDM
RLC-108	3-1/2"	98-108mm	2.00*25	M6*25	M8/M10	3,000 kN	1,50 kN	165,9	54,5	EPDM
RLC-118	4"	108-118mm	2.00*25	M6*25	M8/M10	3,000 kN	1,50 kN	174,7	59,5	EPDM
RLC-128	4-1/2"	118-128mm	2.00*25	M6*30	M8/M10	3,000 kN	1,50 kN	179,8	65,2	EPDM
RLC-138		128-138mm	2.00*25	M6*30	M8/M10	3,000 kN	1,50 kN	194,6	70,3	EPDM
RLC-148	5"	135-148mm	2.00*25	M6*30	M8/M10	3,000 kN	1,50 kN	201,4	73,4	EPDM
RLC-164	5-1/2"	151-164mm	2.00*25	M6*30	M8/M10	3,000 kN	1,50 kN	218,4	81,4	EPDM
RLC-175	6"	165-175mm	2.00*25	M6*30	M8/M10	3,000 kN	1,50 kN	235,4	88,6	EPDM
RLC-185		175-185mm	2.00*25	M6*30	M8/M10	3,000 kN	1,50 kN	255,1	91	EPDM
RLC-205		194-205mm	2.00*25	M6*30	M8/M10	3,000 kN	1,50 kN	274,5	100,3	EPDM

Material - Zinc plated mild steel (Stainless steel options available on request).

CLAMPS & CLIPS PIPE CLAMP RUBBER-LINED PIPE CLAMP

The DiversiTech International sales team are available to answer your questions or queries on this product. Our experts are waiting for your call +44 (0)115 900 5858 or if you prefer send an email to sales@diversitech.com or visit www.diversitech.global