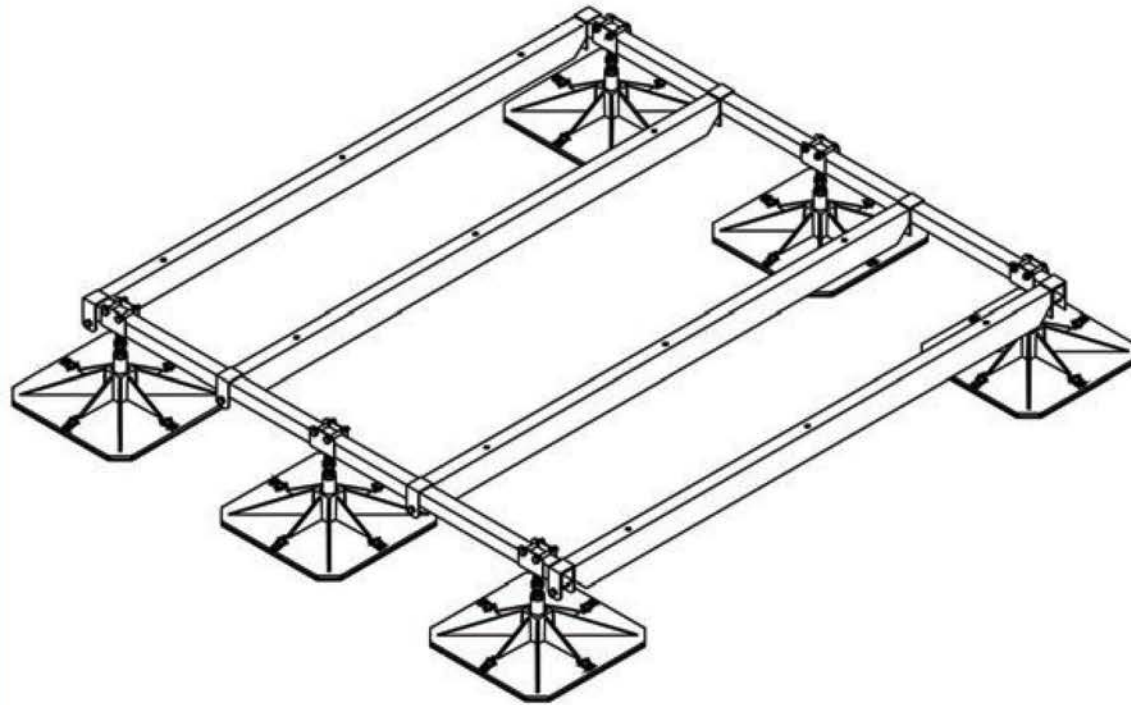




heavy

flexi heavy - flexi frames

Modular robust frames for large air handling units.



Features & Benefits

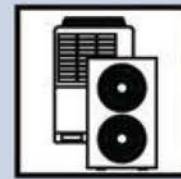
- Non-penetrative support
- Flexible design to accommodate late design changes
- Fast and simple installation
- Hot dip galvanised frameworks
- No time consuming clamping kits required, cross bars are industry standard strut fix
- Cross bars supplied with holes for second fix strut (by others)
- Full AutoCAD drawing support
- Load management and wind calculations available
- Full on-site support and surveying services



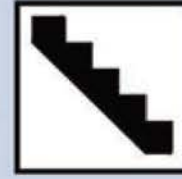
Pump House
 Glaisdale Drive East
 Nottingham
 NG8 4LY
 Tel: +44(0)115 900 5858
www.flexisupportsystems.co.uk
sales@flexisupportsystems.co.uk



everyday



light



access



solar



Flexi

flexi heavy duty modular frameworks

These robust free standing modular frameworks are supplied with fully adjustable leg assemblies and 500 x 500mm polypropylene feet incorporating anti-vibration rubber mats adhered to the underside. Robust 50 x 50 mm square hollow section end bars are 2.5mm thick and are supplied with either 50 x 50mm or 100 x 50mm cross bars. With a variety of sizes available for both our end bars and cross bars, a suitable framework can be designed to suit many applications where a strong support is key. For lighter weight frames please look at the 'flexi-light' range.

Typical support layout

Other leg assembly variations for this system are available dependant upon application



Bar	SHS Section	1000 mm	1500 mm	2000 mm	2500 mm	3000 mm	3500 mm
End Bar	50 x 50 x 2.5	PHF-005A	PHF-005B	PHF-005C	-	PHF-005D	-
Cross Bar	50 x 50 x 2.5	-	PHF-016	-	-	-	-
Cross Bar	100 x 50 x 3.2	-	-	PHF-016A	PHF-016B	PHF-016C	PHF-016D



Flexi

Specification Extract

External building services will be supported on Pump House fully adjustable and hot dip galvanised flexi heavy duty frameworks utilising 500 x 500mm polypropylene feet. Tel: +44(0)115 900 5858

Application

Suitable for heavier building services typically larger air handling units, chillers and air cooled condensers. Our unique 'drop on' cross bars offer a faster alternative when erecting the framework compared with some slide on systems.

Material Specification

- Foot - 500 x 500mm UV stabilised 90% polypropylene + 10% GRP
- Mat - 100% natural rubber, (mat is adhered to the foot)
- Legs - 48mm dia. 3mm steel tube with M24 stud adjuster and 4mm thick U-clevis to top
- End bars - 50x50x2.5mm SHS (square hollow section)
- Cross bars - 50x50x3mm & 100x50x3mm (square / rectangular hollow section)
- Finish - Hot dip galvanised steelwork BS EN 102191:1997. Galvanising: BS EN ISO 1461:1999. Salt mist testing: BS EN 60068-2-52

Our service offers you

- Quotation on request
- Full AutoCAD drawings support
- Site support and site surveys
- Load management calculations
- Over 20 years experience in flat roof design and providing support systems to building services
- Fast delivery
- Experienced in-house technical staff