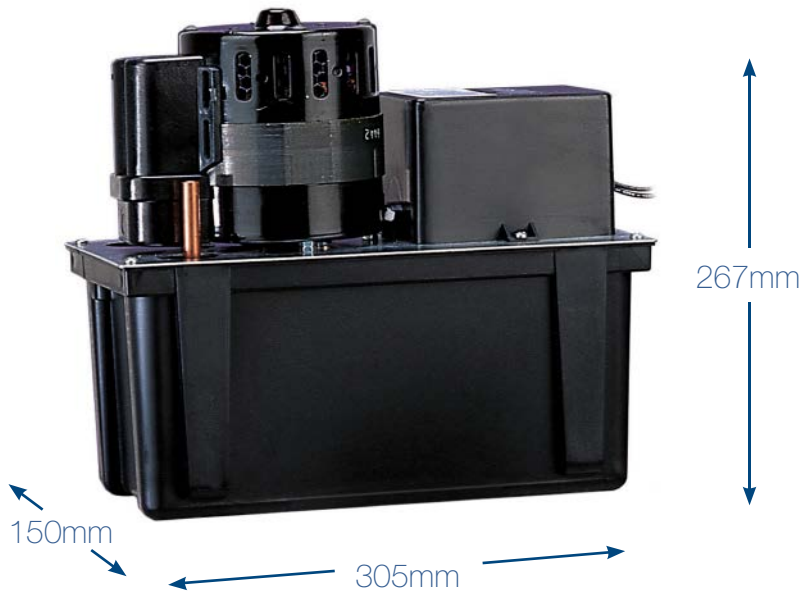


Little Giant VCL-45S - Heavy Duty Condensate Tank Pump



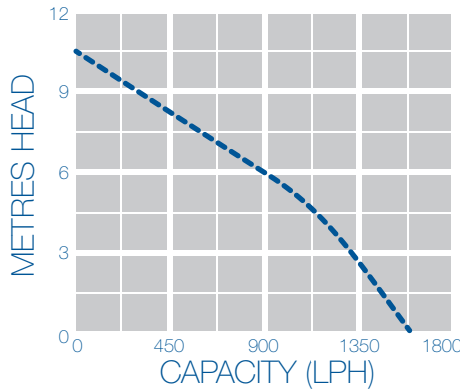
LittleGIANT® VCL-45S Heavy Duty Tank Pump

Heavy duty is no longer a problem!

This robust Little Giant tank pump offers the highest flow and lift rate at 1560 LPH with a 10.5m lift. These pumps are built to move large quantities of condensate water fast. Ideal for cassette air conditioning, refrigeration and de-humidifiers.

Features

- Higher flow rate – 1560 LPH
- High discharge head – 10.5m
- Trouble free, centrifugal pump
- Ideal for cassette and ducted a/c's
- One year warranty



Related Products

Braided Hose
Cassette Adaptors



Max. Flow
1560 LPH

Tank Cap.
3.8 litres

Decibel
Rating
58-62 dB(A)

The Package

- 3.8 Litre Tank Pump
- 3/8" Check Valve
- 1/4" Check Valve
- Installation Instructions

Part Code	Max. Lift	Discharge Size	PSI	Watts	IP	Amps	Volts	Hz
VCL-45S	10.5m	3/8" / 1/4"	10.4	170 W	20	1.8 A	240 V	50 Hz
High Level Alarm	Inlet Height	Weight	Cable Length	Drink Cycle	On Level	Off Level	Reserve Before Overflow	Alarm Level
48V / 5A	144mm	6.4kg	0.9m	2.2 litres	90mm	33mm	1.35 litres	105mm

The Pump House sales team are available to answer your questions or queries on this product. Our experts are waiting for your call **+44 (0)115 900 5858** or if you prefer send an email to **sales@pumph.co.uk** or visit **www.pumph.co.uk**

